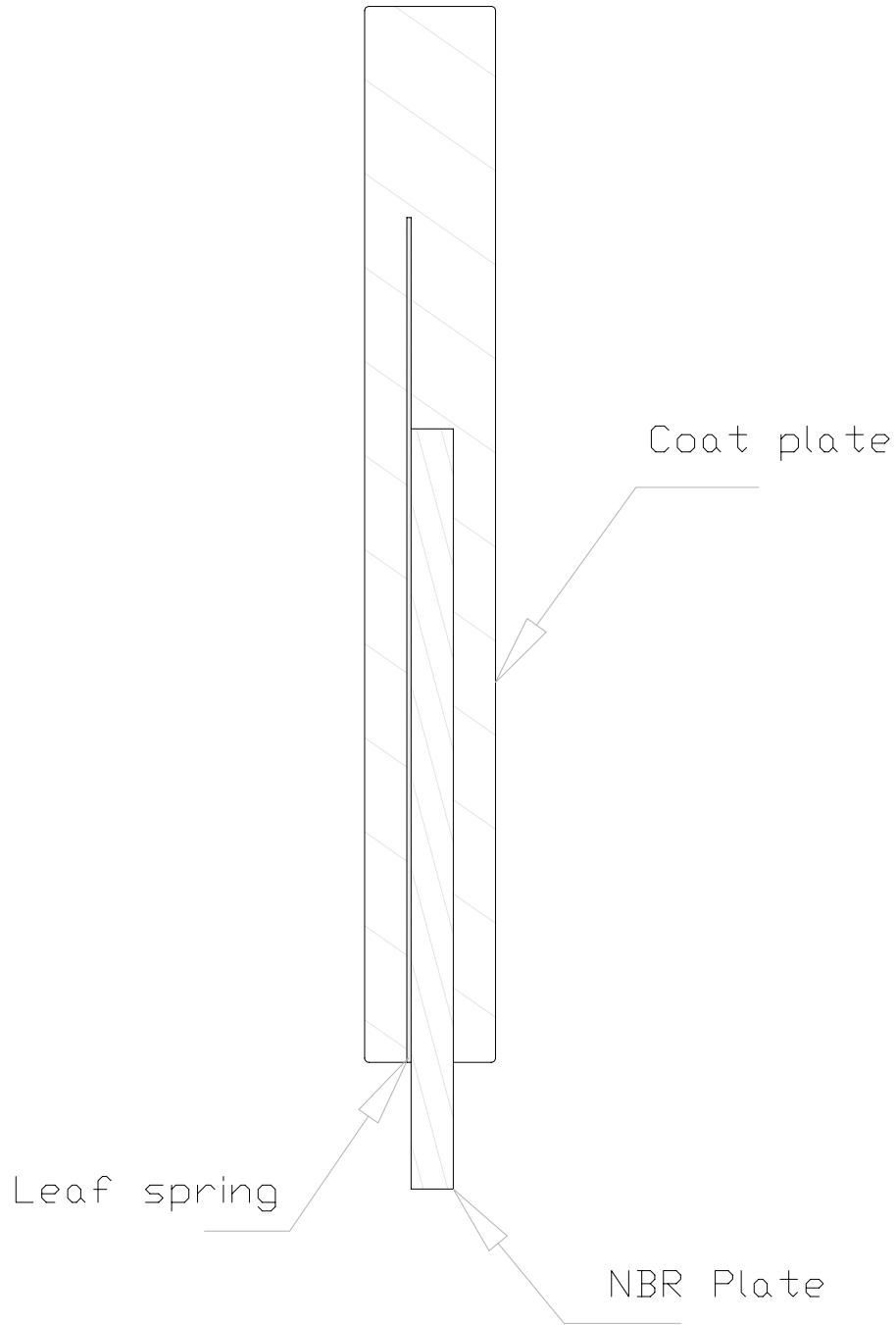


NO:	IVAN177	Part Name		Material		Scale	1:1	Units	mm
Drw.		CHECK	Apr.	Date	2016-03-21	Rev	A	Pages	

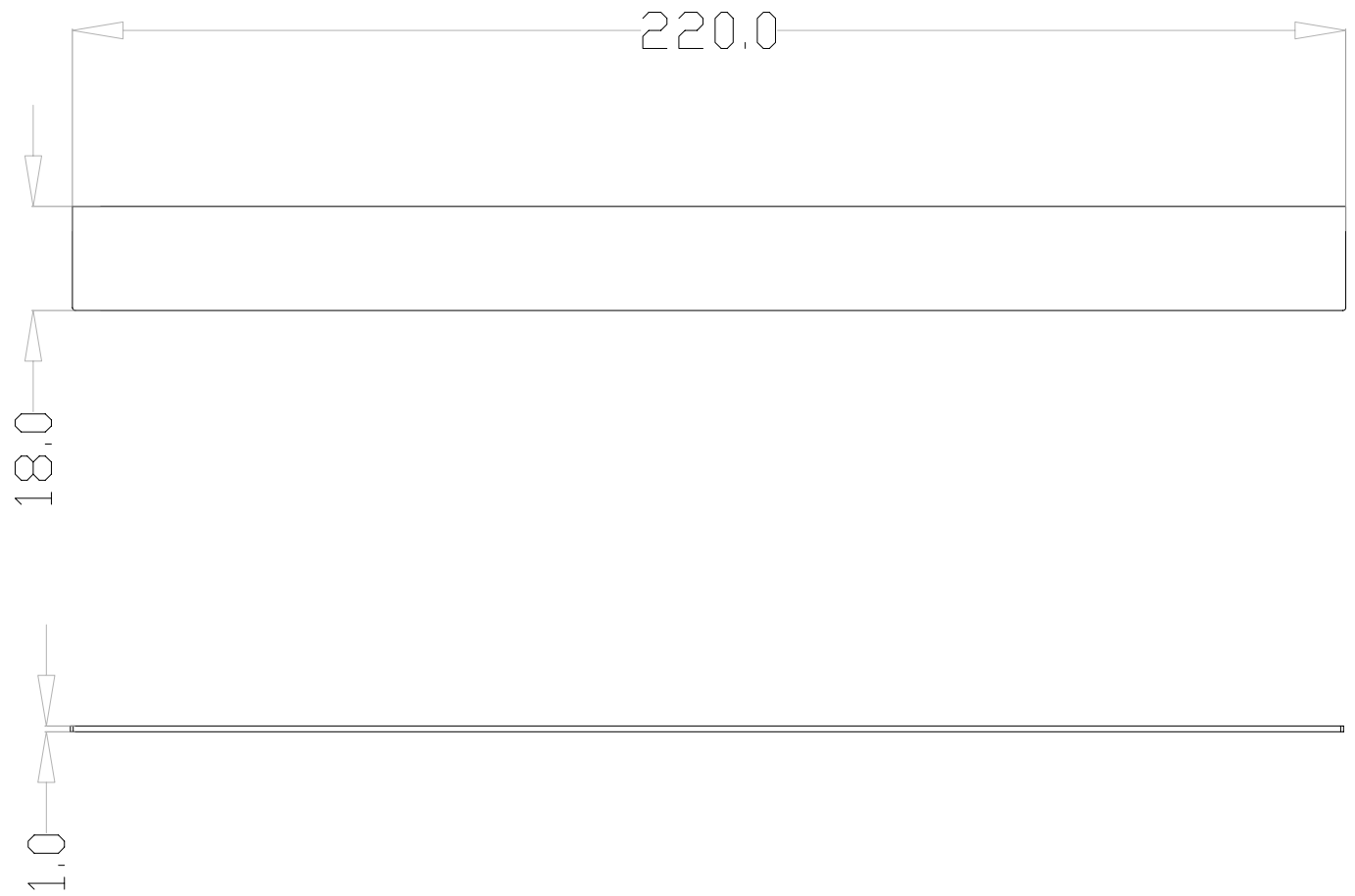


NO:	IVAN177	Part Name		Material		Scale	1:1	Units	mm
Drw.		CHECK	Apr.	Date	2016-03-21	Rev	A	Pages	



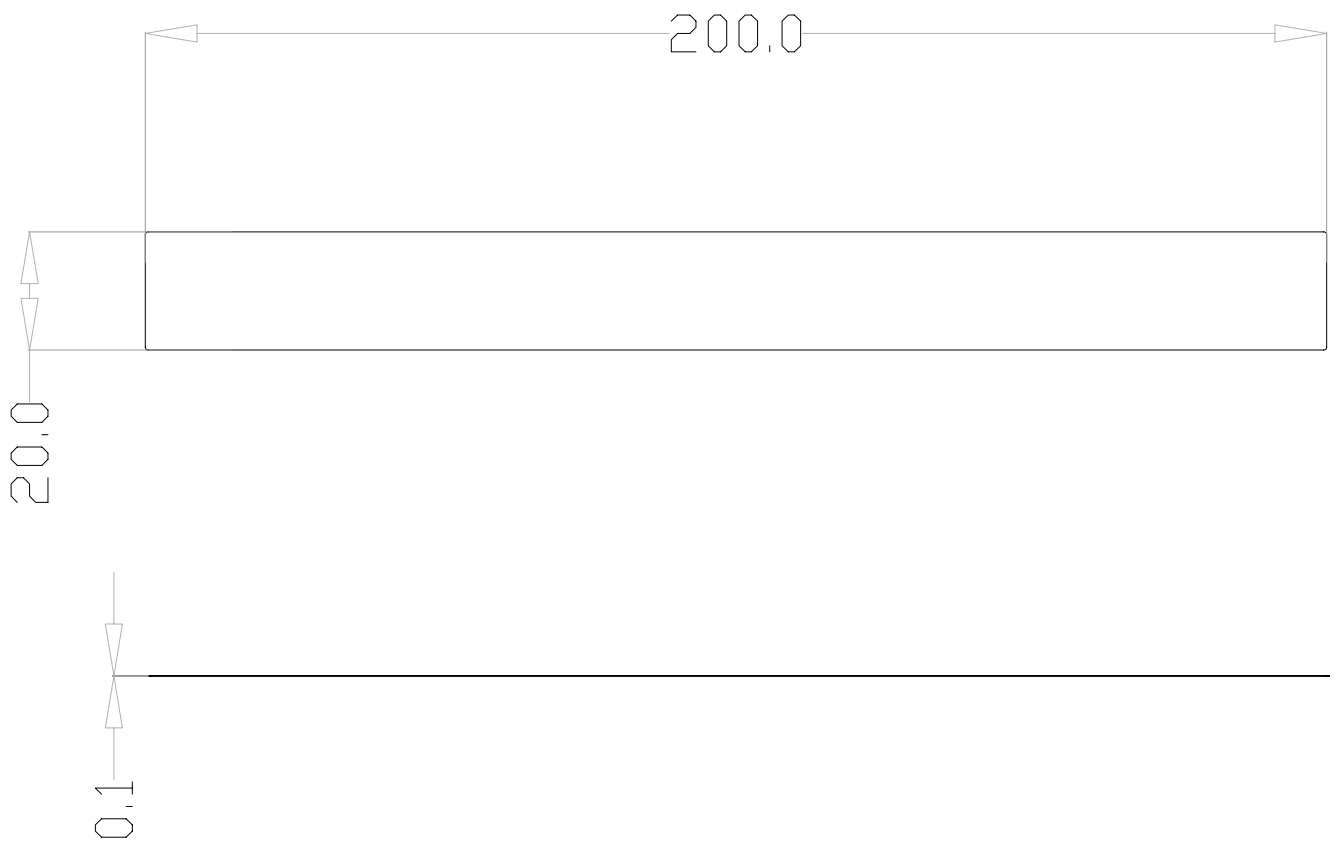
16 g

NO:	IVAN177	Part Name	Coat plate	Material	Silicone	Scale	1:1	Units	mm
Drw.	CHECK	Apr.		Date	2016-03-21	Rev	A	Pages	



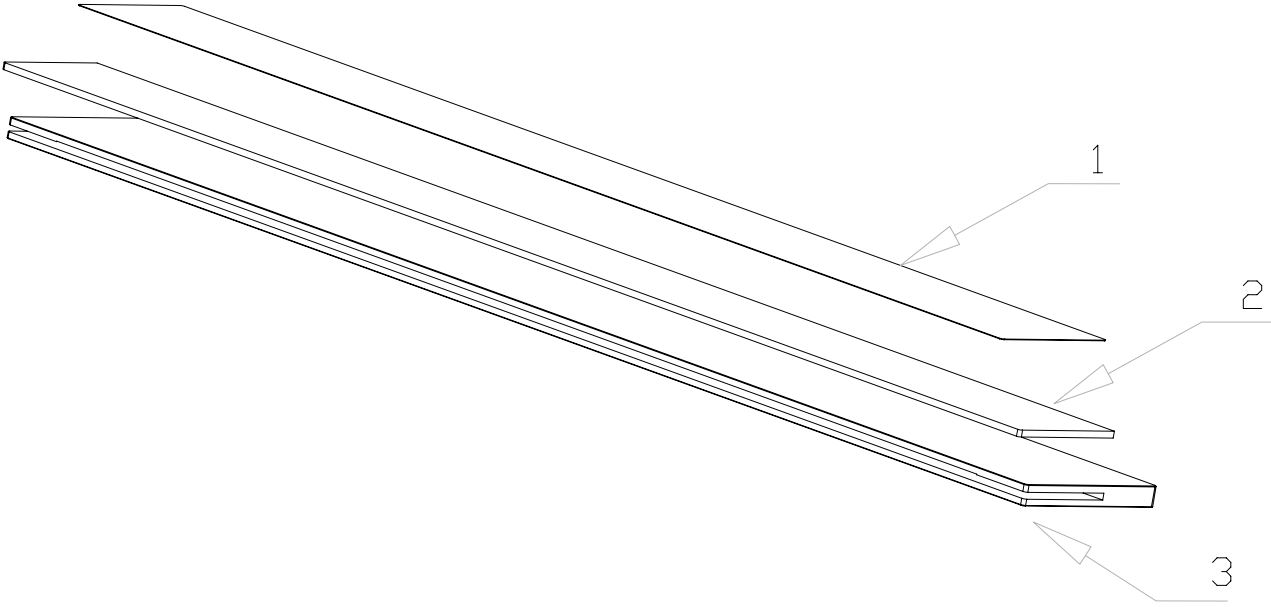
5 9

NO:	IVAN177	Part Name	NBR Plate	Material	NBR	Scale	1:1	Units	mm
Drw.		CHECK	Apr.	Date	2016-03-21	Rev	A	Pages	



NO:	IVAN177	Part Name	Leaf spring	Material	SUS 301	Scale	1:1	Units	mm
Drw.	CHECK	Apr.		Date	2016-03-21	Rev	A	Pages	

NO:	NAME	MATERIAL	Q'TY
1	Leaf spring	SUS 301	1
2	NBR Plate	NBR	1
3	Coat plate	Silicone	1



NO:	IVAN177	Part Name		Material		Scale	1:1	Units	mm
Drw.		CHECK	Apr.	Date	2016-03-21	Rev	A	Pages	